




HESH[®]
Hesh

和氏工业技术集团
HESH Industry Technology Group

珠海立峰电子科技有限公司
Zhuhai Lifeng Electronic Technology Co., Ltd.



工业毛刷
Industrial Brush



公司简介 Company Profile

珠海立峰电子科技有限公司是和氏工业技术集团全资子公司，主要经营工业刷工具、各种工装夹具、机械标准件、气动元件、电器元件等，本公司秉承“顾客至上，锐意进取”的经营理念，坚持“客户第一”的原则为广大客户提供优质的服务。

和氏工业技术集团（股票简称：和氏技术，股票代码：832281）始创于2004年，总部位于广东珠海，是涵盖汽车、家电、电子、军工、航空、新能源、环保、医疗等领域高端智能制造装备的研发制造、销售服务及金融投资业务的国际化工业技术集团。集团大力推动资源优化整合在十多个地区建立了研发机构及合资公司，其中多家为国家高新技术企业。

和氏工业技术集团期待与海内外客户真诚合作，共创美好未来！

Zhuhai Lifeng Electronic Technology Co., Ltd, one of fully -owned subsidiaries by HESH Industry Technology Group Inc. , focus on manufacturing varieties of industrial brushes ,tools and fixtures and industrial parts as well as equipment and etc.The philosophy of Lifeng Electronic is highlighted on "customer first and enterprising".

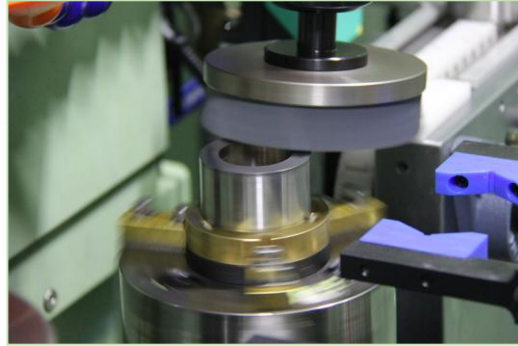
HESH Industry Technology Group (Stock Code: HESH Technology. Stock Registration No.:832281),established in 2004, headquartered in Zhuhai, is one multinational enterprises group,specializing in developing and manufacturing and merchandising the high-end smart production equipment and spare parts for automotive house appliance,electronic,aviation,green energy ,environment protection,military, health-care sectors etc.and supplying the finance and investment service. HESH Group has been persisting on resources integration and established research institutions and joint-venture companies ,and among them are national high-tech corporations fully owned by HESH Group.

HESH Industry Technology Group is looking forward to cooperating with customers home and abroad for better future!





端面刷
End Brush



碗型刷
Bowl Brush

内孔刷
Tube Brush



工业毛刷
Industrial Brush



笔型刷
Pen Brush

轮刷
Wheel Brush



球头刷
Ball Head Brush



端面刷 End Brush



用途：适用于气缸盖、液压件、冲压件、发动机缸体、气动部件等表面去毛刺处理。

可供选刷毛类型：磨料丝、尼龙丝、不锈钢丝、镀铜钢丝等。

可根据您的需求量身定制。

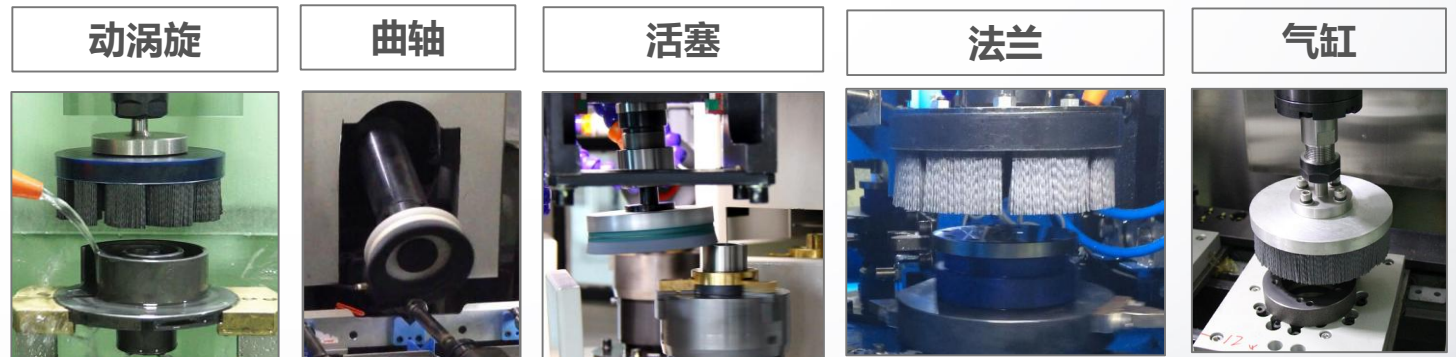
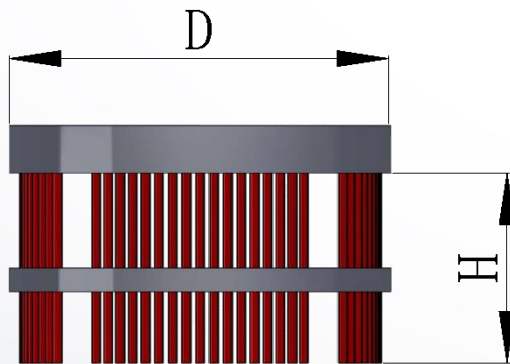
Applications：Used for deburring cylinder head、hydraulic parts、stamping parts、engine block、pneumatic components,etc.

Raw materials：abrasive filament、nylon filament、stainless steel wire、copperized wire,etc.

Tailored to client needs.

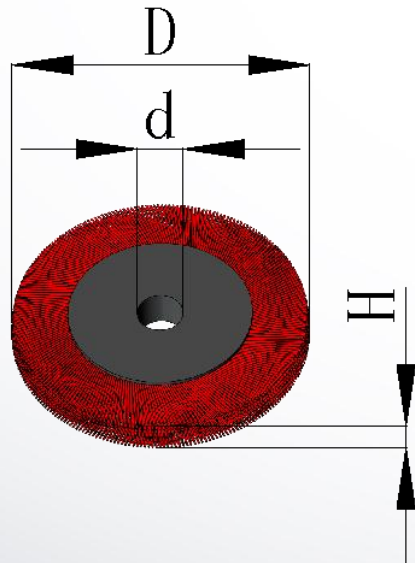
外径 D	丝厚 H
Φ45-Φ200	可定制 Tailored to client needs

压缩机行业去毛刺、抛光：





轮刷 Wheel Brush



用途：不同的材料适用于除锈、抛光、打磨、去毛刺、倒角、清理等用途。

可供选刷毛类型：磨料丝、尼龙丝、不锈钢丝、镀铜钢丝等。

可根据您的需求量身定制。

Applications : Used for derusting、polishing、grinding、deburring、chamfering、cleaning,etc.

Brush materials : abrasive filament、nylon filament、stainless steel wire、copperized wire,etc.

Tailored to clients needs.

外径 D	丝厚 H	中孔d
Φ35-Φ300	可定制 Tailored to client needs	Φ6-Φ25.5

压缩机行业去毛刺、抛光：

曲轴



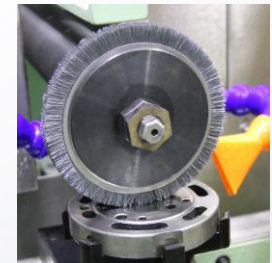
活塞



气缸

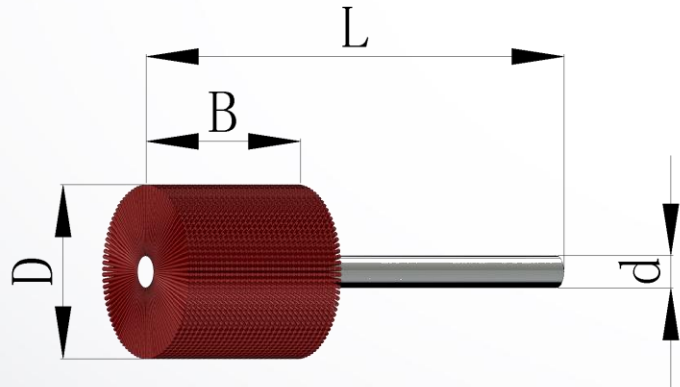


法兰





内孔刷 Tube Brush



用途：广泛应用于各种内孔、盲孔、交叉孔等去毛刺、抛光、清理。

可供选刷毛类型：磨料丝、尼龙丝、不锈钢丝、镀铜钢丝等。

可根据您的需求量身定制。

Applications : Used for deburring and polishing and cleaning at blind holes and cross holes .

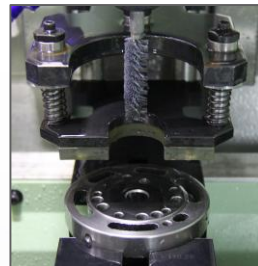
Raw materials : abrasive filament、nylon filament、stainless steel wire、copperized wire,etc.

Tailored to client needs.

外径 D	毛位B	总长L	杆径d
$\Phi 6-\Phi 40$ 以上	15-60以上	200	$\Phi 6-\Phi 10$

压缩机行业去毛刺、抛光：

法兰



活塞



气缸



偏心套



静涡旋





笔型刷 Pen Brush



用途：能有效去除凹凸工件上的毛刺、锈污、油漆、橡胶，广泛应用于机加工等领域。
可供选刷毛类型：磨料丝、尼龙丝、不锈钢丝、镀铜钢丝等。

可根据您的需求量身定制。

Applications : Used widely for removing burr, rust, paint, rubber coating on the concave and convex parts

Raw materials : abrasive filament、nylon filament、stainless steel wire、copperized wire,etc.

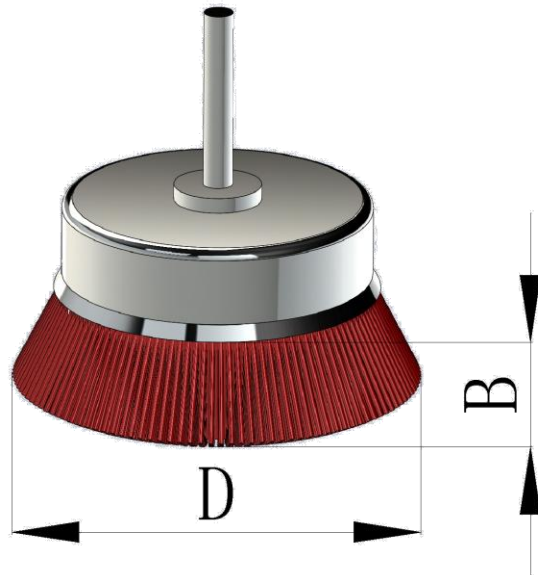
Tailored to client needs.

外径 D	毛位B
Φ65-Φ360	22-89





碗型刷 Bowl Brush



用途：碗刷的磨削力强，工作效率高。非常适合重型大型工件表面清洁工作，去除焊接面焊渍、铁锈、毛刺、油漆等。

可供选刷毛类型：磨料丝、尼龙丝、不锈钢丝、镀铜钢丝等。

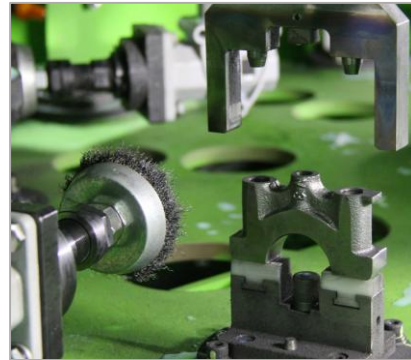
可根据您的需求量身定制。

Applications : Strong endurance makes it higher in productivity and suitable to clean of heavy and large workpieces , especially on removing of the weld stains, rust, burrs, paints, etc.

Raw materials : abrasive filament、nylon filament、stainless steel wire、copperized wire,etc.

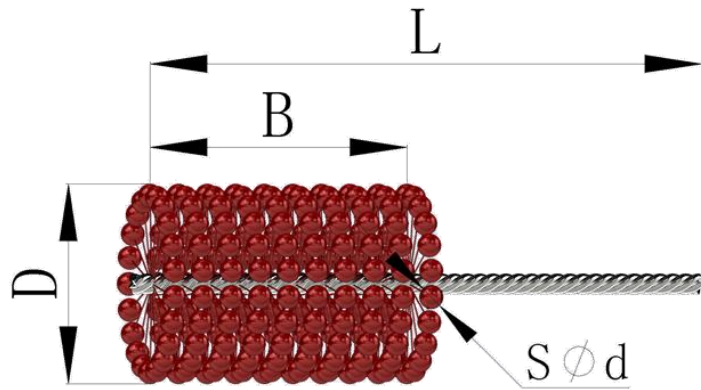
Tailored to client needs.

外径 D	毛位B
Φ65-Φ360	22-89





球头刷 Ball Head Brush



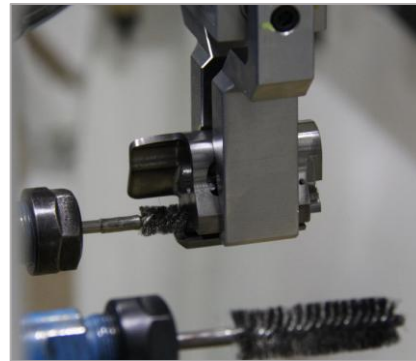
用途：主要用于气缸、液压气动、缸体、发动机零配件、刹车毂等；能轻便地对各种形状、尺寸的气缸、阀门、管腔管道进行表面处理，产生最佳的表面效果。

磨料粒度：60#、120#、180#、240#、320#、500#、600#、800#
可根据您的需求量身定制。

Applications：mainly used for cylinder, hydraulic pneumatic, cylinder block, engine parts, brake hub, etc; easy to treat the surfaces of the cylinders, valves and lumen pipes of various shapes and sizes and to make surfaces polished.

Abrasive size：60#、120#、180#、240#、320#、500#、600#、800#.
Tailored to client needs.

外径 D	球头直径 Sφd	毛位 B	总长 L	配杆
Φ6-Φ40以上	Φ2-Φ5	15-100	100-200	可定制 Tailored to client needs



产品视频连接
Video-link

